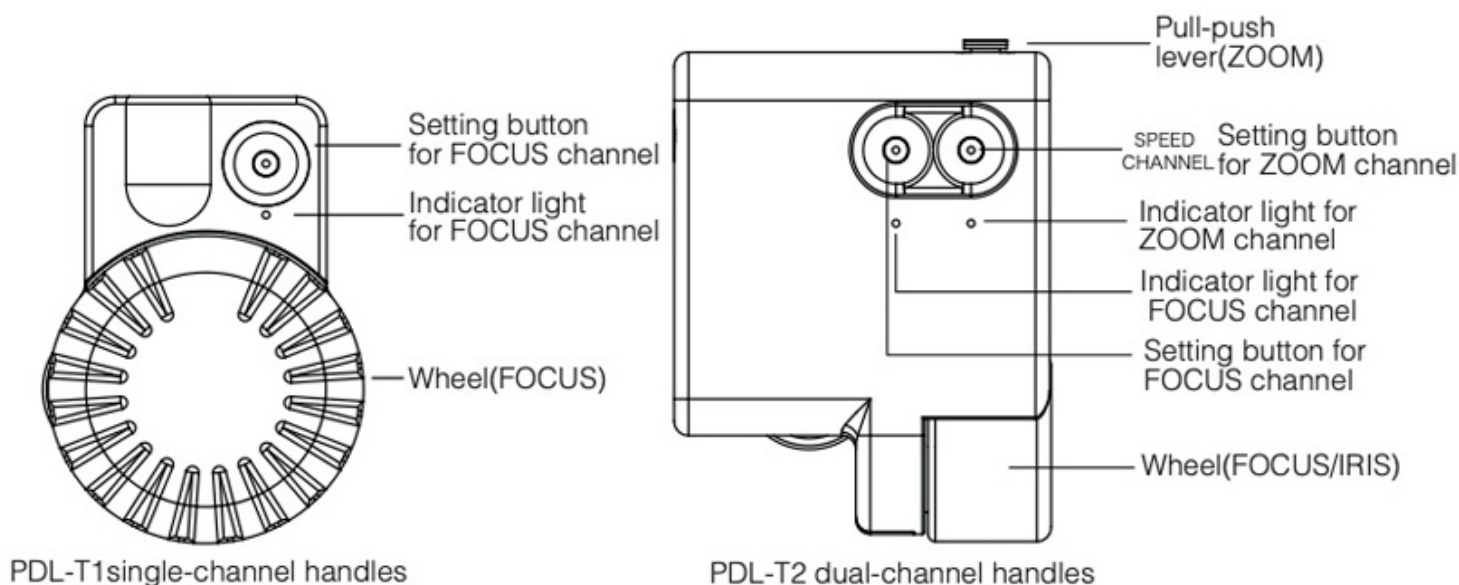


PDMOVIE

REMOTE LIVE 3 Product Manual

1. Installation Of Controller

Please install the controller (PDL-T1 or PDL-T2) to the catheter (15mm-30mm) with the adaptor.



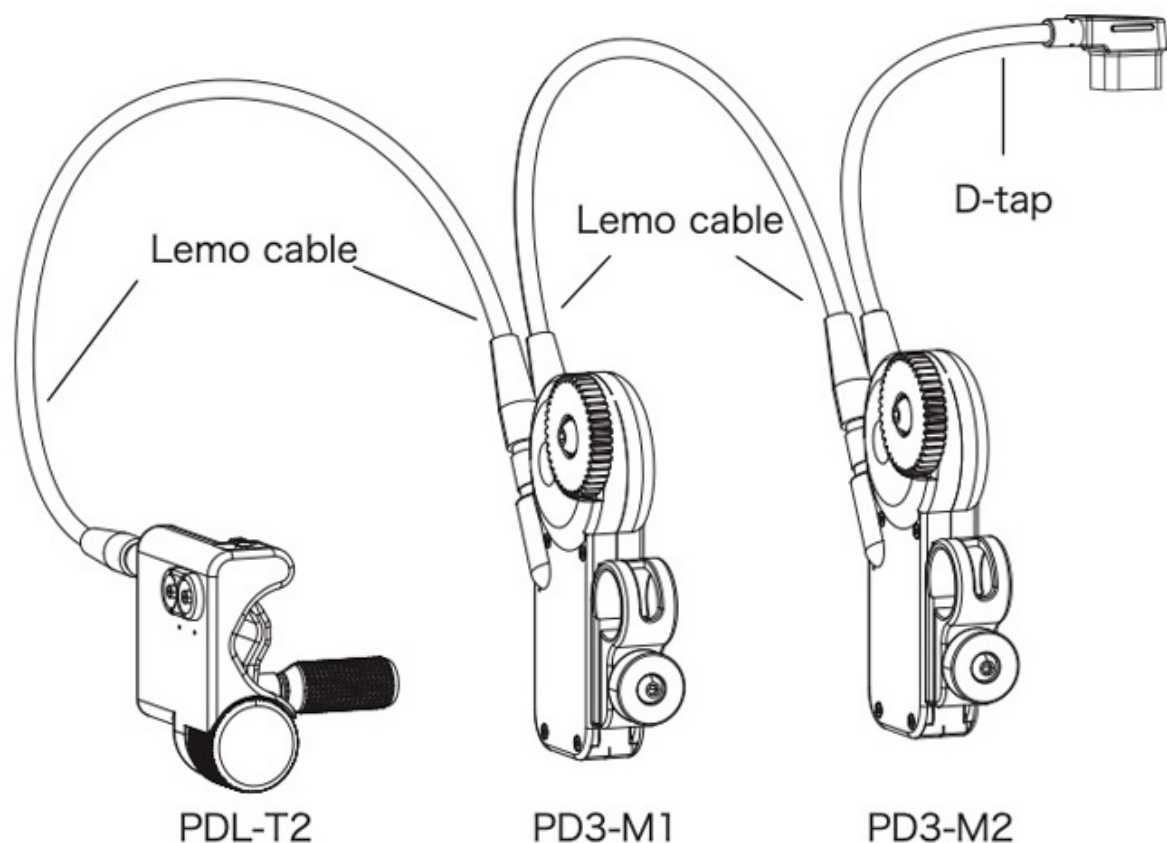
2. Installation Of Motor

Please install the motor to the catheter (15mm-30mm) and match in the lens gear.

3. Connection Of Controller And Motor

① For using the controller (PDL-T1) : Please let the motor and handle control connect with Lemo cable. Then let the D-TAP cable connect the motor with the D-tap output on the V-Mount Battery .

② For using the controller (PDL-T2) ; Please follow the steps below : FIRST let the Lemo cable connect the motor(PD-MX1&2) , SECOND let the other Lemo cable connect the handle control and the motor(PD-MX2). THEN let the D-tap cable to connect the motor (PD-MX1) and the socket (REMOTE 7-20V). LAST let the D-Tap cable connect the motor with the D-tap output on the V-Mount Battery.



4. Motor Start Up

The motor do not need to turn on and off, because it will turn on automatically when it have power supply and it will turn it off when power outage.(To know more detail please check with the instruction No.7&8)

5. Calibrate Lens Stroke

The controller PDL-T1 and PDL-T2 do not have ON/OFF button and it will turn on automatically when power supply.

①For the controller PDL-T1 : Press the CHANNEL button for 3 seconds for calibrate.

②For the controller PDL-T2 : Press and hold the CHANNEL button or the ^{SPEED} CHANNEL button for 3 seconds for calibrate. Then two of the motors' will work at the same time when it calibrating.

6. Operation For Controller





Switch the controller hand wheel or rocker to control the FOCUS/ZOOM/IRIS.

①When using the PDL-T1 please be sure the the indicator light on the controller and motor are in the same color (Recommend both on red).

②When using the PDL-T2 please be sure that the indicator light (Left side) on the controller and motor (PD-MX1) are in the same color (Recommend both on red);And the indicator light (Right side) on the controller and motor (PD-MX2) are the same color .(Recommend both on green)

③When using the controller (PDL-T1&2) please be sure that the indicator light (PDL-T1) turn to FOCUS channel (Recommend color on red); The indicator light (Left side) turn to IRIS channel (Recommend color on blue). The indicator light (Right side) turn to ZOOM channel(Recommend color on green) .

7. Instruction Of Controller

Button & Socket	Functions	Instruction	
	Automatically Calibrate Stroke		Press and hold the button for 3 seconds
CHANNEL	Manual setting (AB point)	Set	<ul style="list-style-type: none"> ● Please turn the lens to the A point and press the button (FOCUE/ZOOM/IRIS) on the controller for setting A point. Then turn the lens to the B point and press the button again for setting B point.
		Cancel	<ul style="list-style-type: none"> ● After "setting", press the button (FOCUS/ZOOM/IRIS) on the controller for cancel the AB point.
SPEED CHANNEL	Switch Channel		Double click the button (FOCUS/ZOOM/IRIS) for changing channels which means switch the indicator light color.
	Switch Rotation Speed of Motor		Press the button(^{SPEED} CHANNEL) on the controller (PDL-T2) five times for adjust the speed of motor. Press the button on the motor for adjust the speed. (Instruction 8.2 to see more details)
	Switching the rotation direction of the motor		Press 7 times, the direction that the motor run will turn opposite. (Also change the direction of the lens)
REMOTE 7-20V	The socket on the controller and motor support signal transmission, power supply and 7-20 voltage.		

8. Instruction Of The Motors

①. Motor Button Instruction

The Button Interface / Motor Button	Functions
CHANNEL SPEED	Motor rotation speed and channel switching (refer to channel switching and motor speed switching table)
REMOTE 7-20V	Control signal transmission, universal 6-Pin socket for power supply, support 7-20 voltage supply. The 7-20V controller and the motor have the socket.

②. Switching Motor Rotation Speed

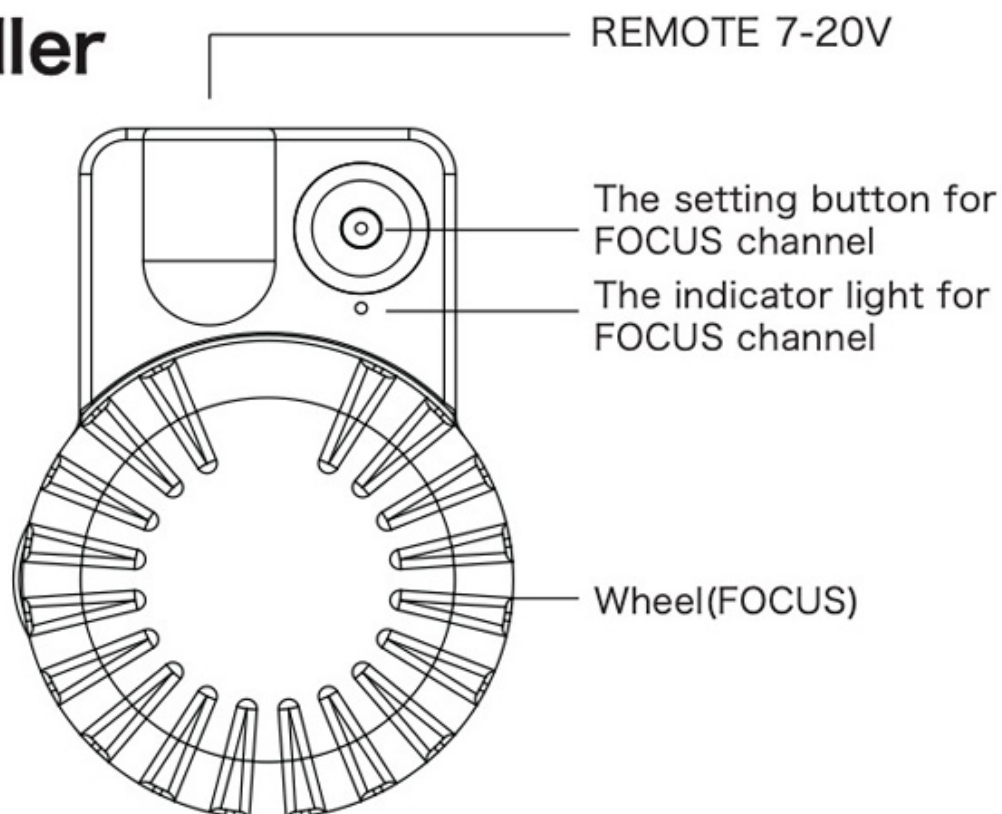
Quickly press the SPEED button on the motor	The rotation speed of motors	The flashing frequency of the corresponding indicator lights
● ● ● ● ●	Fast (hard torsion)	Fast Flash
	Normal (Normal torsion)	Normal Flash
	Slow (Light torsion)	Slow Flash

9. Controller And Motor Switching Channel Table

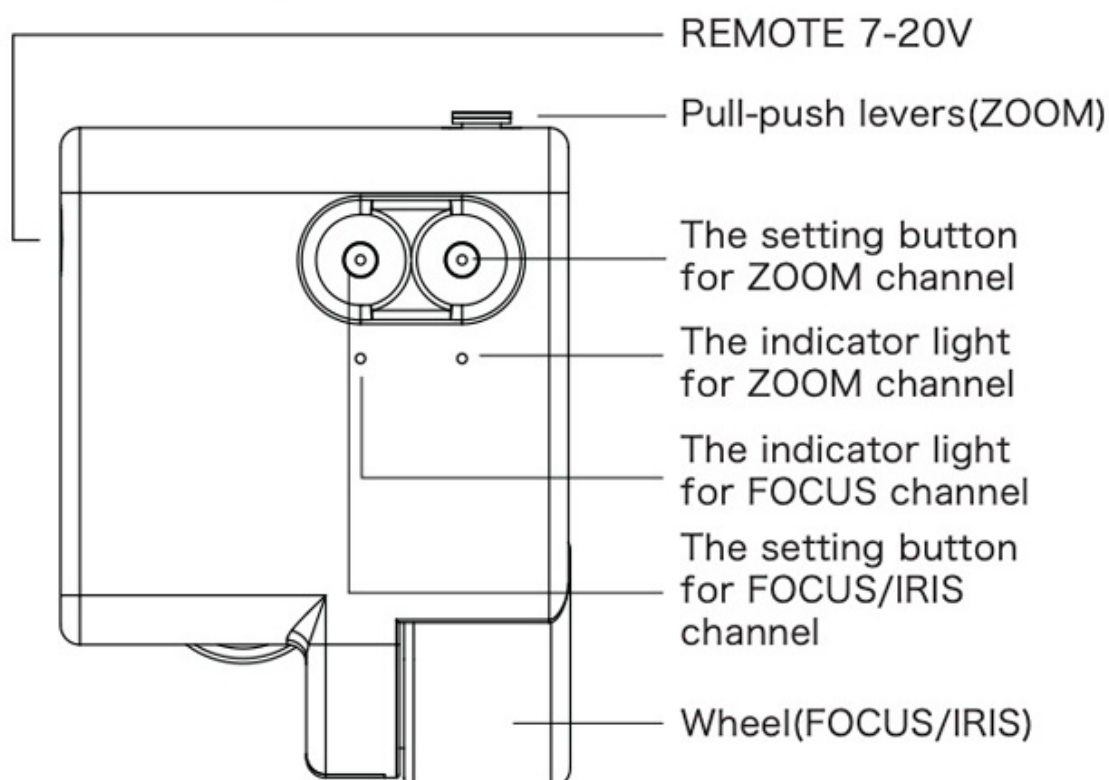
The SPEED Button On The Controller And Motor	Controller/ Motor Channels	The Color of Motors' Indicator Lights	Corresponding Channels
● ●	R1	RED	FOCUS
	G2	GREEN	ZOOM
	B3	BLUE	IRIS
● ● ●	Y4	YELLOW	Channel 4
	C5	CYAN	Channel 5
	P6	PRUPLE	Channel 6

REMOTE LIVE 3 Quick Start Guide

Controller

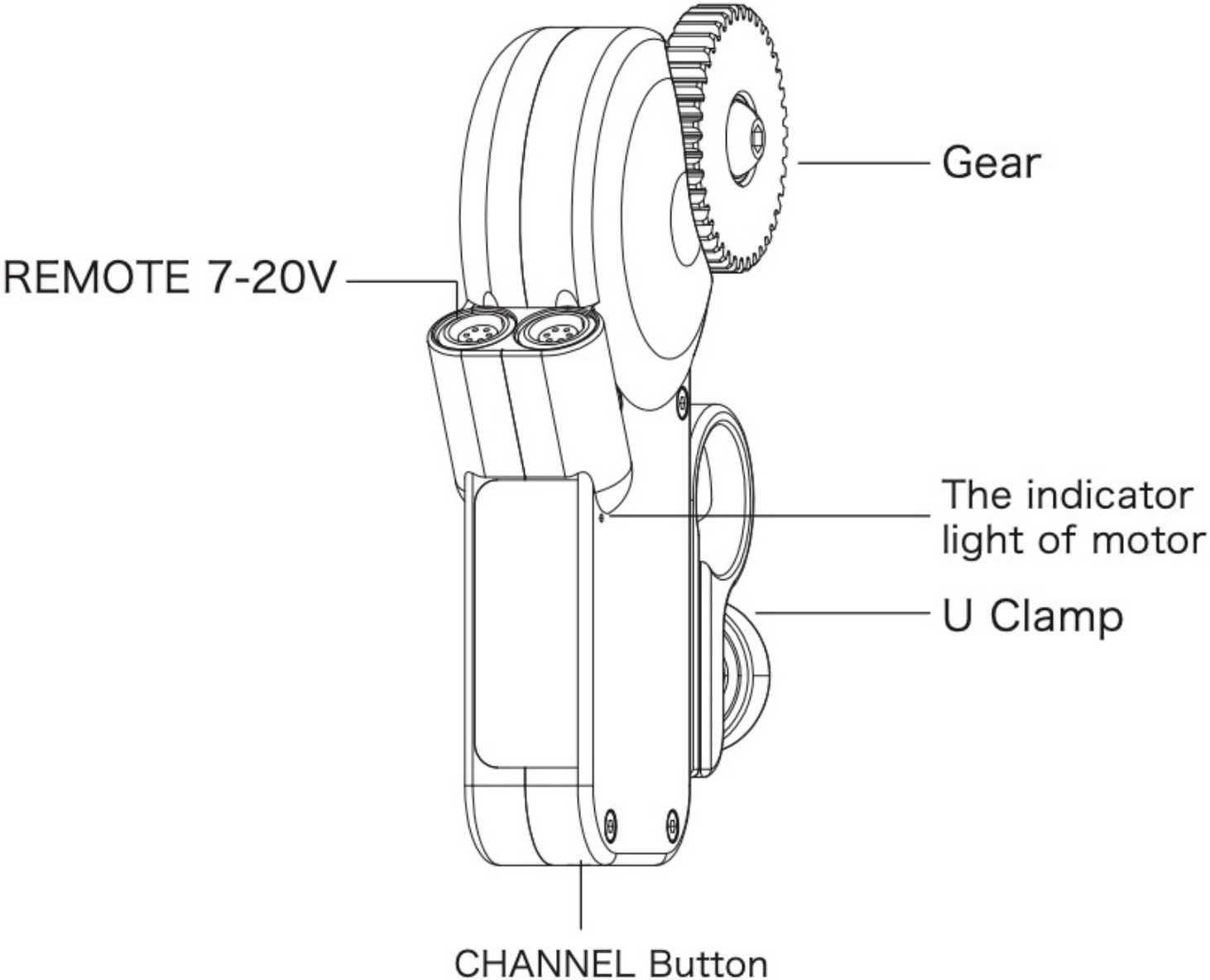


PDL-T1 Single-channel Controller



PDL-T2 Dual-channel Controller

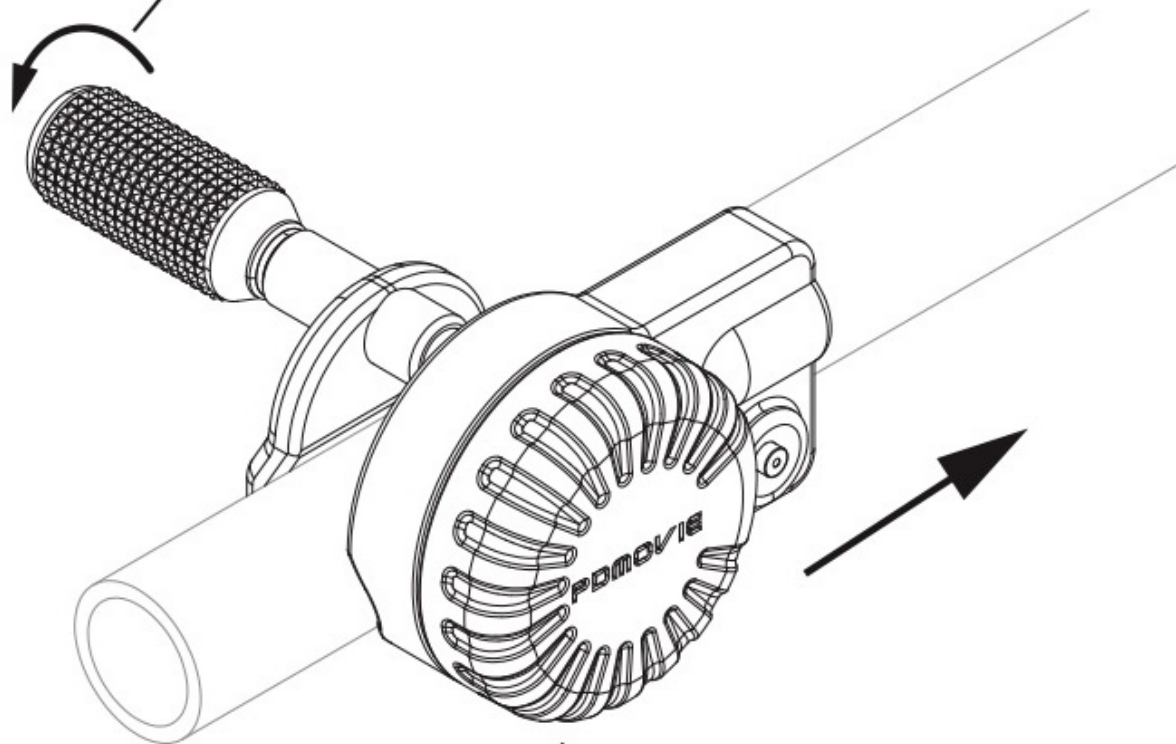
Motor



PD-MX (Slave Motor)

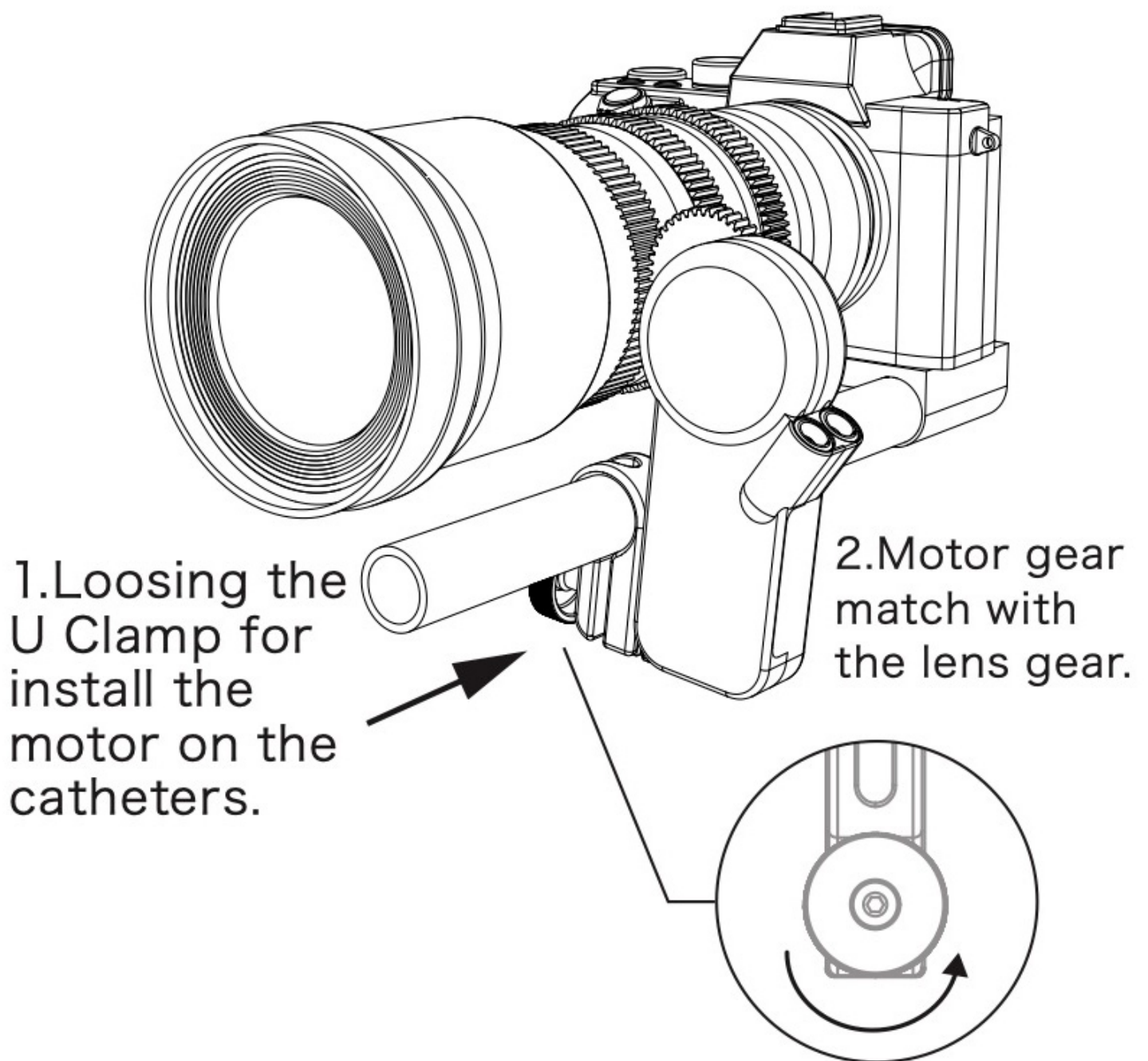
1. Installation Of Controller

2. After the adjustment ,
screws tight the stopping
nut.



1. Please install the
motor to the catheter
(15mm-30mm) then
match in the lens gear.

2.Installation

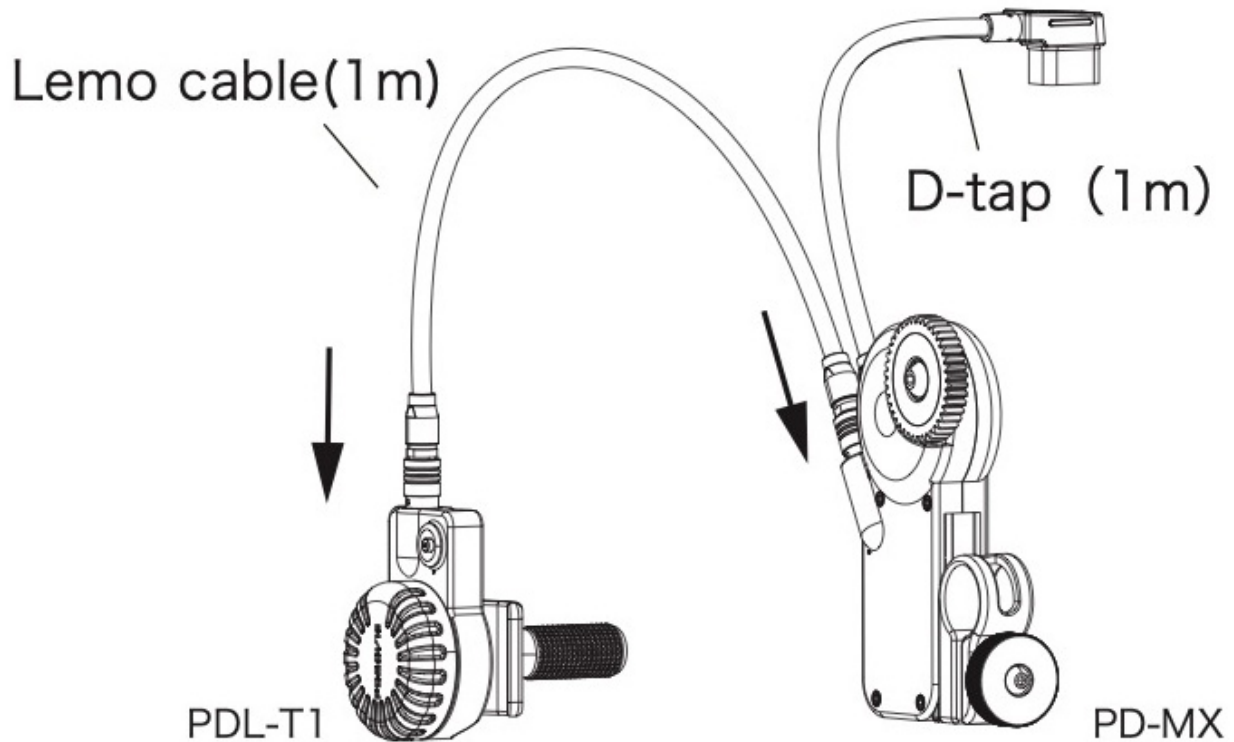


Attention

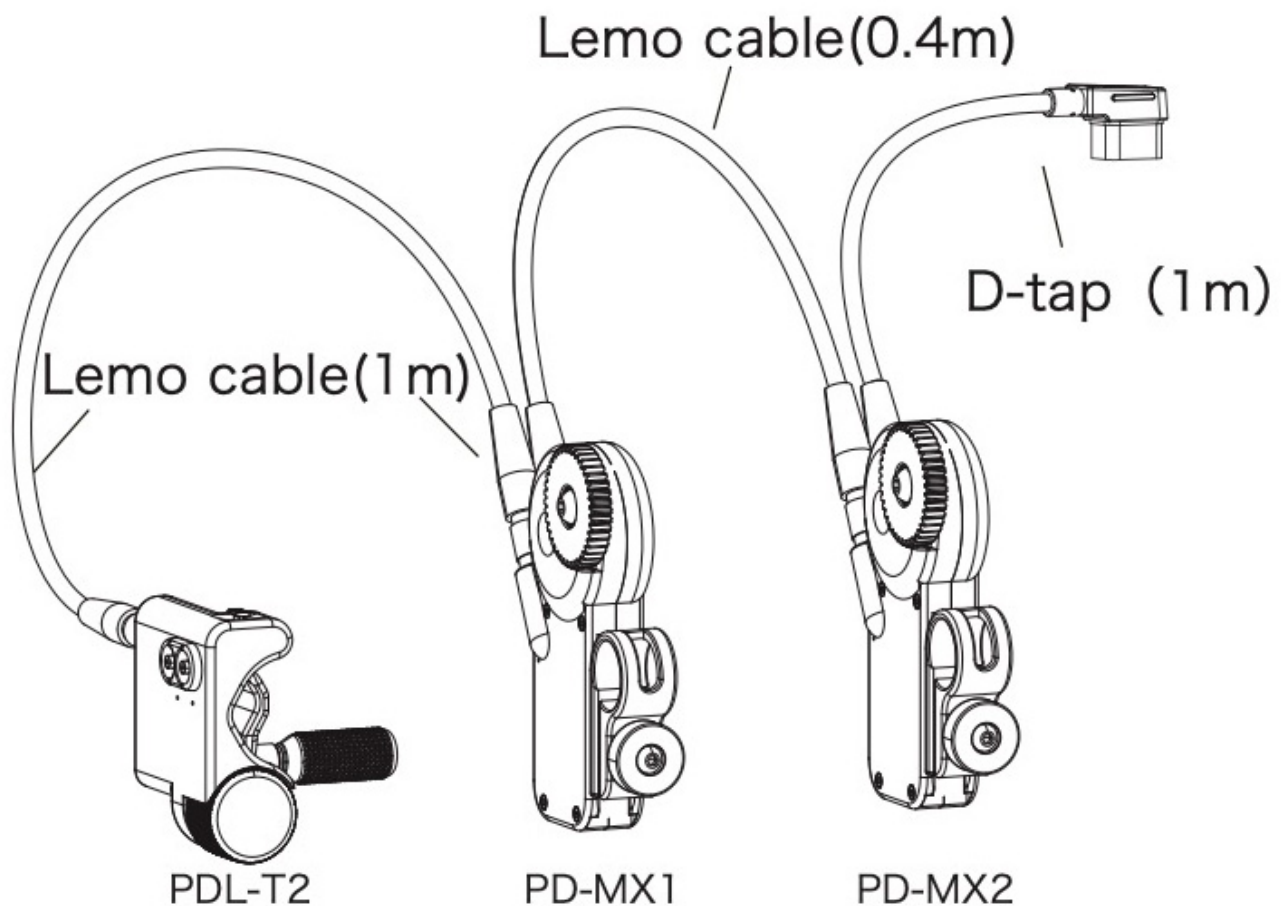
- ①The motor is used in lenses for a wide range of application ; But need the follow focus gear-ring when using the DSLR camera.
- ②Motor could be installed on the catheters with the diameter of 19mm or 15mm with the help of adapter rings.

3.Connection of handle and motor

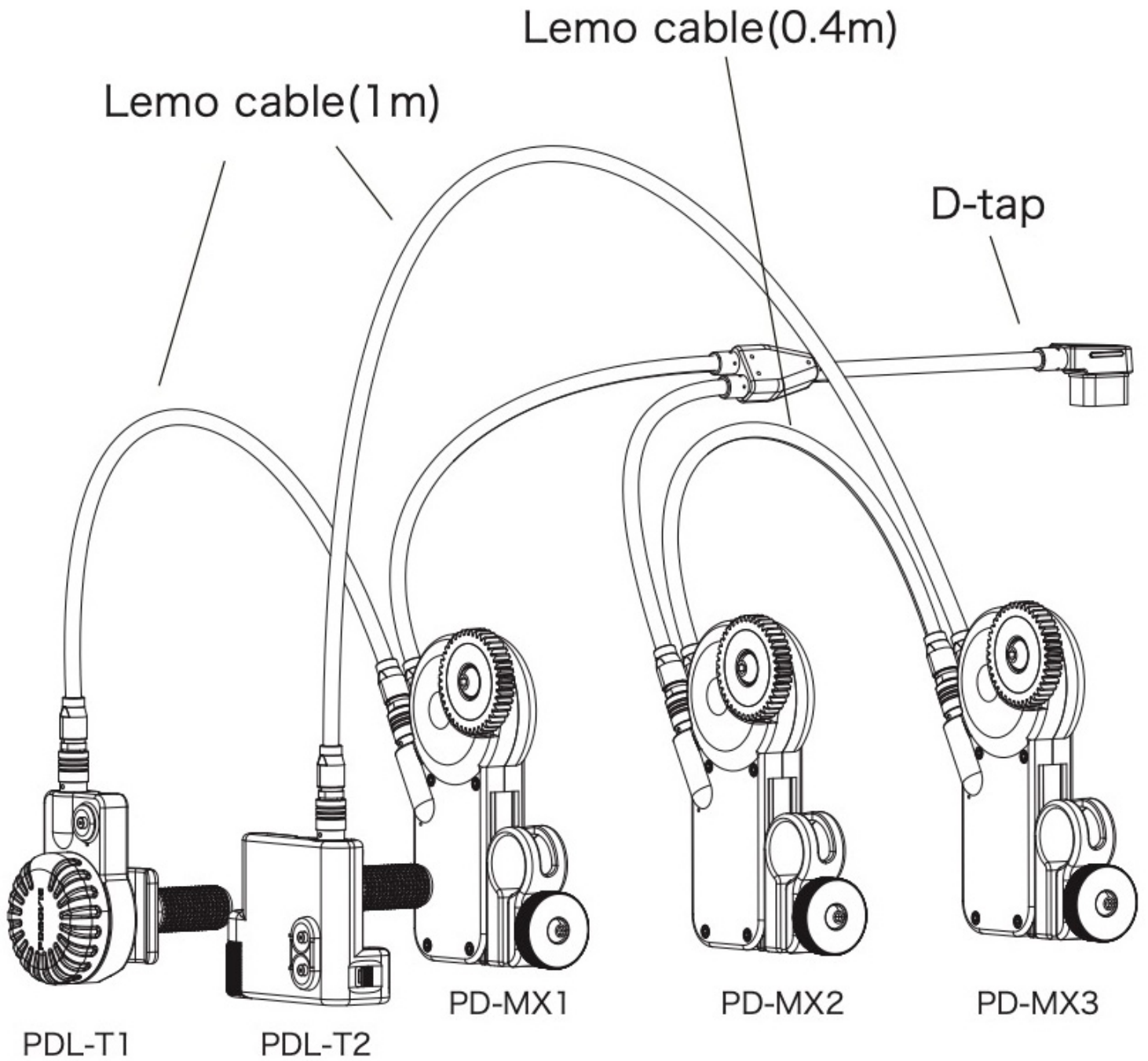
Connection Mode For Single-channel



Connection Mode For Dual-channel



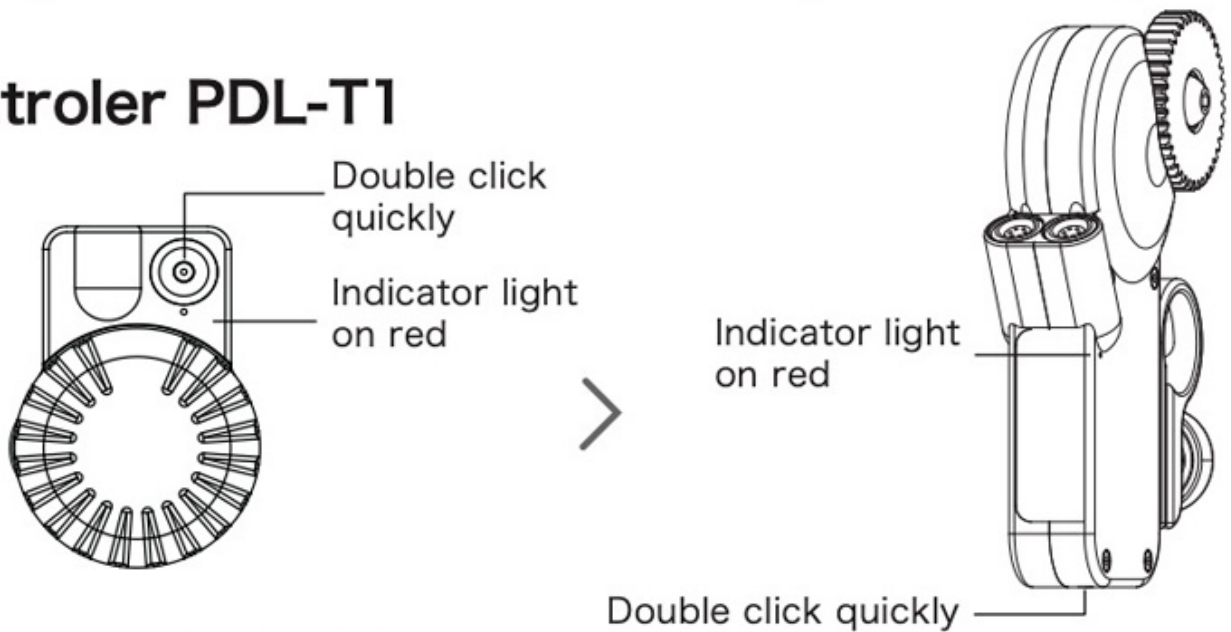
Connection Mode For Three-channel



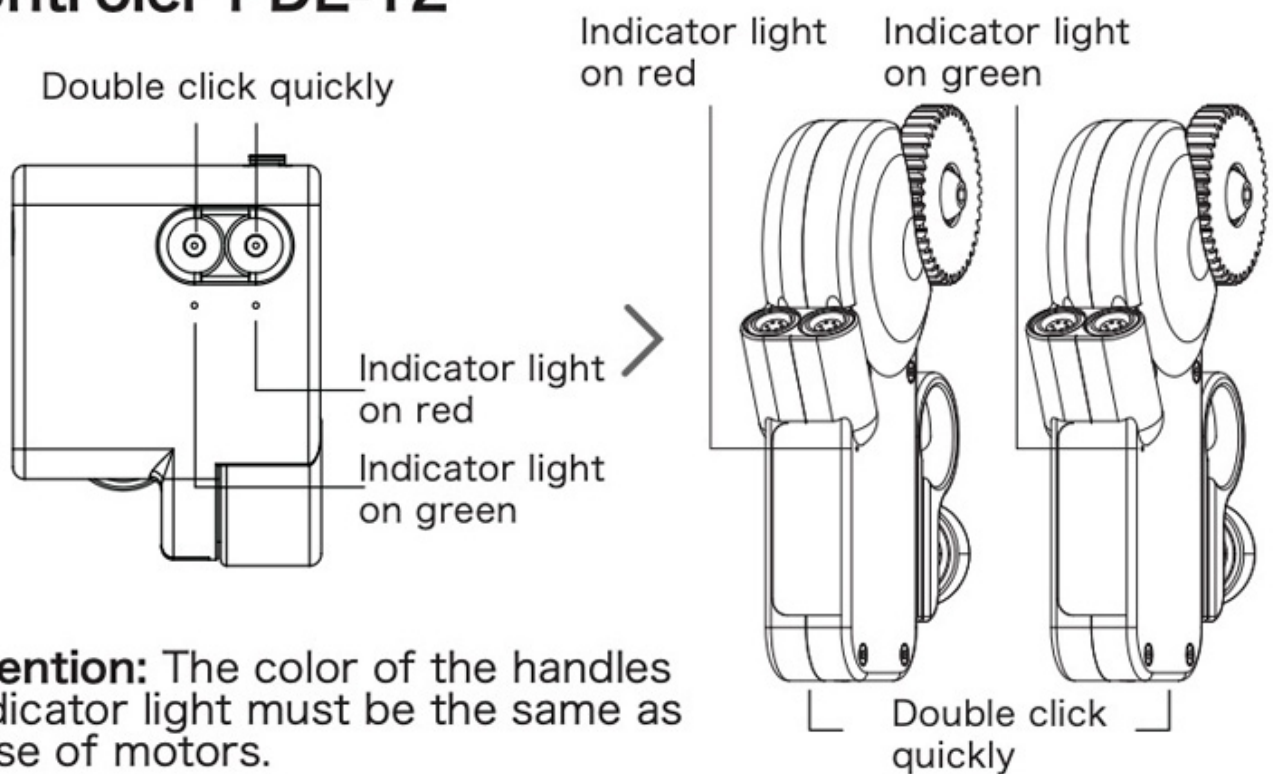
4. Start Up The Power And Set Channels

The motor do not need to turn on and off, cause it will turn on automatically when it have power supply and it will turn it off when power outage.

Controler PDL-T1



Controler PDL-T2

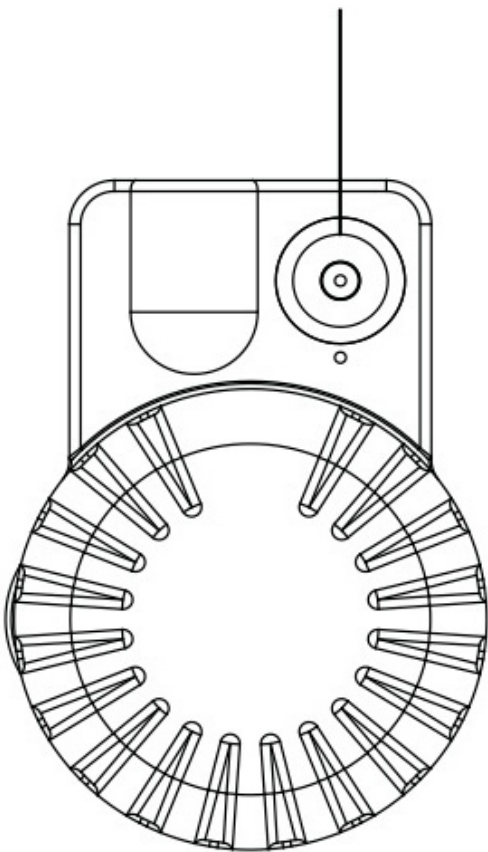


Attention: The color of the handles 'indicator light must be the same as those of motors.

5. Calibration

Long press the button on the controller for 3 seconds to calibrate the lens stroke.

Long press for
3 seconds.



Long press for
3 seconds.

