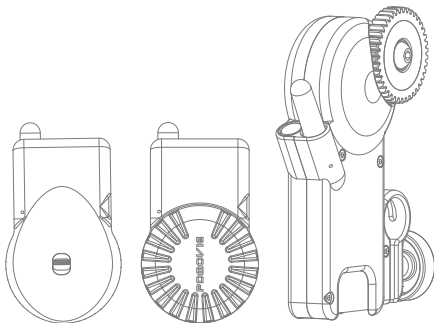


# PDMOVIE

## User Manual

# LIVE AIR

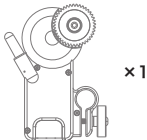
Wireless Follow Focus System



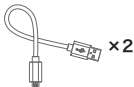
## Configuration List



Bluetooth Controller  
(PDL-TC-AF/PDL-TC-AZ)



Motor Mini  
(PD-BTM)



Micro USB  
Charging Cable



LP-E12 Battery



Battery Charging Stand



Camera Hot Shoe Clamp

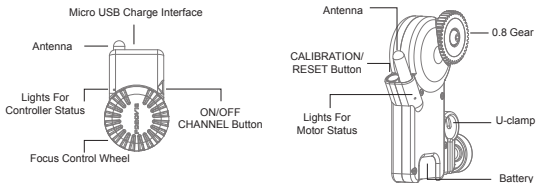
## Notice For Use

1. Before using this product, please read the instructions carefully or watch the video tutorials to learn how best to operate this equipment. If the product is damaged directly or indirectly through misuse or inappropriate operation, our company will not assume any responsibility.

2. Please do not dismantle, repair or refit the internal structure of the product without authorization. If the product is damaged due to the stated improper use, our company has the right to refuse maintenance.

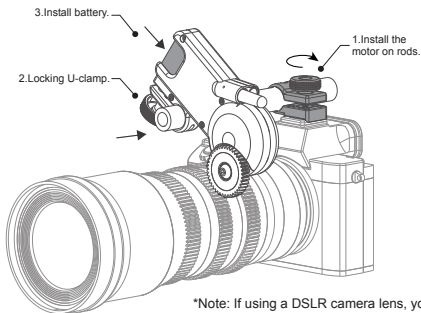
3. If you need technical support or experience any problems with this product, please contact us.

# Instruction Manual



## 1. Install Motor

Install the motor on the 15mm rod and make sure the motor's gear wheel connects with the lens gear.



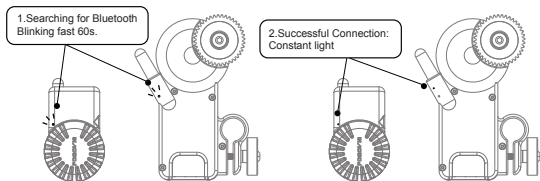
**\*Note:** If using a DSLR camera lens, you'll need to attach the extra lens gear, and ensure that it connects with the motor's gear wheel.

## 2. Turn on the Bluetooth controller and motor

Hold the ON/OFF button on the Bluetooth controller for three seconds until the screen is illuminated. The motor will then turn on automatically.

## 3. Bluetooth Connection

Once the Bluetooth controller is turned on, the indicator lights will blink quickly for 60 seconds, which means the Bluetooth is searching. When the Bluetooth connection is completed, the indicator light will stay constant.



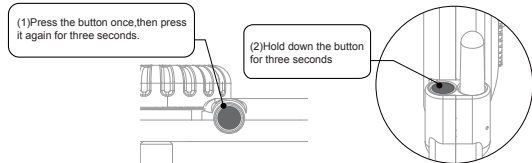
\*1. The stable transmission distance of the controller is about 10 meters, and the actual control distance is affected by environmental factors.

\*2. The motor and the controller will disconnect when the signal is weak. Once the signal returns to normal, the motor and controller will automatically resume connecting.

## 4. Calibration

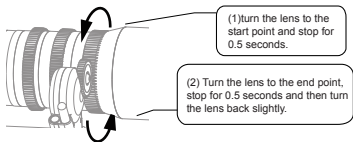
(1) Press the ON/OFF button of the Bluetooth controller once, then press it again and hold, until the motor rotates

(2) Hold the button on the bottom of the motor for three seconds, until the motor rotates.



(3). Manual calibration:

1. When the motor gear and the lens gear are completely interlocked, turn the lens to the starting point and stop for 0.5 seconds.
2. Then turn the lens to the end and stop for 0.5 seconds.
3. Finally turn the lens back slightly. The lens is now manually calibrated ( We would recommend manually calibrating DSLR lenses, or lenses without hard stops)







**Table 1:Bluetooth Controller button functions**

Button Input	Function
■	ON/OFF
●	Setting AB Point
● ■	Calibration lens stroke
● ● ● ■	Turn on the Bluetooth
● ● ● ● ● ●	Switch Motor Rotation

**Table 2: Indicator Light colour**

Residual Charge	Indicator Light Colour
100%-75%	WHITE
74%-50%	GREEN
49%-25%	YELLOW
24%-0%	RED

### Table 3:Motor Instruction Table

Button Input	Funtion
	Enable Lens Calibration
	Restore the lens stroke when power off / ① Remove the lens stroke
	Switch Motor Rotate Direction
	Turn on the Bluetooth

**Cancel the lens calibration:** Please press the button four times to manually reset the calibration;

**Restore the lens calibration when powering off:**When the motor is suddenly powered off, press the button 4 times to restart the calibration process.

## REMOTE AIR APP

The motor can be controlled by an IOS system APP. Just search 'PDMOVIE' or 'REMOTE AIR', then download the APP from the Apple store.

1. Turn on the motor

2. Enable Bluetooth on your phone.

3. Turn on the APP \*  
(Your phone will connect to the motor automatically)

\* 1. Please make sure the Bluetooth controller is powered off.

\* 2. Before opening the APP, please make sure the APP is not running. If it doesn't connect, close the APP then reopen again.

## Supplementary Specification

### Tenance:

We would recommend checking the power consumption every month to ensure that the battery keeps enough power when not in use. When the equipment is in a state of low power or no electricity for a long time, it will reduce the overall battery capacity. Overcharging or over discharging for a long time will cause damage to the battery. It is recommended that the user keep the device power at 50~74% throughout.

### Troubleshooting

1. Calibration Emergency Stop: If the motor has any problems during the calibration process, immediately press the CALIBRATION/RESET button once to stop the process.
2. Live Air Z (PDL-AZ) can also adjust the response speed of the motor, click the ON/OFF button five times to select the motor speed. The speed can change between slow/medium/fast levels.
3. When the motor's calibration does not coincide with the original calibration, please check the controller's indicator light. If the light matches the current channel color and blinking white, the controller is setting an A-B point. If you want to cancel the A-B point limit, press the ON/OFF button once. chao 14:58:30
4. Battery main directly from our PDMOVIE official AliExpress store.
5. The normal battery lifetime of the Bluetooth controller 'PDL-TC-AF' is 8-10 hours. If the controller is low on power, it can use the USB5V output or other mobile power for charging. The normal charge time is 20-25 minutes.
6. The distance of Bluetooth control is 10 meters, and the Bluetooth